



EXTARO 300 from ZEISS
Simplifying Visibility



Boosting efficiency.

ZEISS EXTARO 300



Experience breakthrough visualization capabilities combined with an optimized workflow when using ZEISS EXTARO® 300 for tympanoplasty, myringotomy, stapedectomy, mastoidectomy and transoral laser surgery.

Thanks to the EXTARO 300 from ZEISS, you can recognize precise anatomical structures and identify fine details, allowing you to make better decisions. The intuitive functionalities minimize interruptions and maximize your focus on the surgery. Innovative data management solutions enable you to capture photos and record videos of every treatment, organized according to your surgical needs.

The ZEISS EXTARO 300 allows you to save valuable time before, during and after each surgical intervention – and focus on what matters most: your patients.

// INNOVATION
MADE BY ZEISS

Augmented Visualization

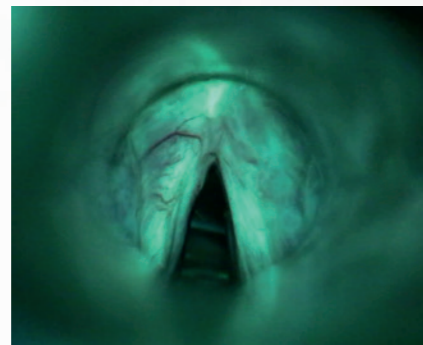
Low-color contrast often makes it difficult to recognize critical anatomical structures. The new **Multispectral Mode** of ZEISS EXTARO 300 enhances this contrast, e.g. to better distinguish between vasculature and tissue.

Sometimes light reflections complicate the surgical procedure. The new **NoGlare Mode** suppresses these obtrusive reflections, allowing for a faster and more detailed distinction of anatomical details and artificial implants.

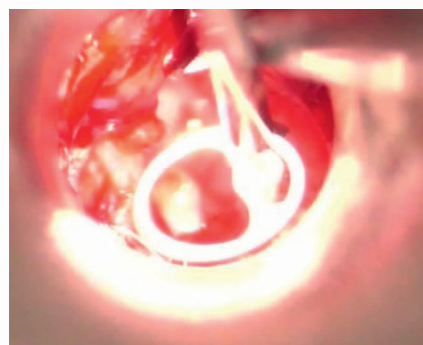
ZEISS EXTARO 300 enables a more accurate assessment of the surgical situation for better decision-making. **Visualization enhanced.**



Vocal cords under white light



Vocal cords under **Multispectral Mode**



Stapedectomy under white light



Stapedectomy under **NoGlare Mode**

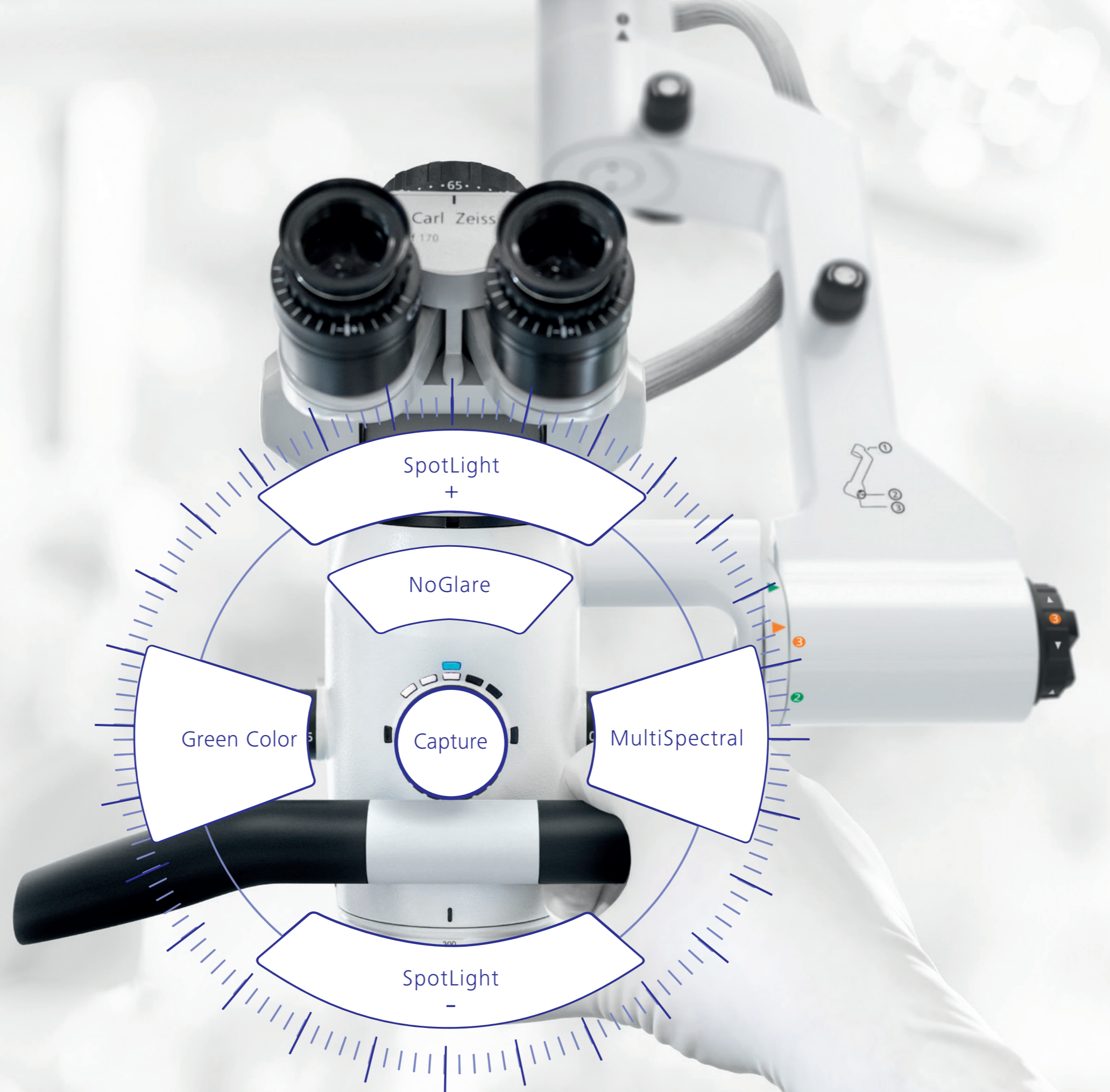
Application image courtesy of
Prof. Marcel Kraft, Hirslanden Private Hospital Group,
Basel, Switzerland (Multispectral Mode) and
Dr. Mark Praetorius, University Clinic of Heidelberg,
Germany (NoGlare Mode)

Single-Handed Operation

Any adjustment or repositioning of the microscope can greatly disturb focus and cost you valuable time.

With the **Mode Control** button, ZEISS EXTARO 300 allows you to activate all visualization modes and camera functionalities without taking your eyes off the surgical field. With its innovative balancing and movement system, frequent repositioning will not be a burden on your procedure. And if that's not enough, the new Varioskop® 230 can be operated with just one finger to maximize ergonomics. Effortlessly set the field of view and focus over a wide working range of 200 to 430 mm.

Thanks to ZEISS EXTARO 300, you can perform procedures with maximum focus and efficiency. **Best in class.**

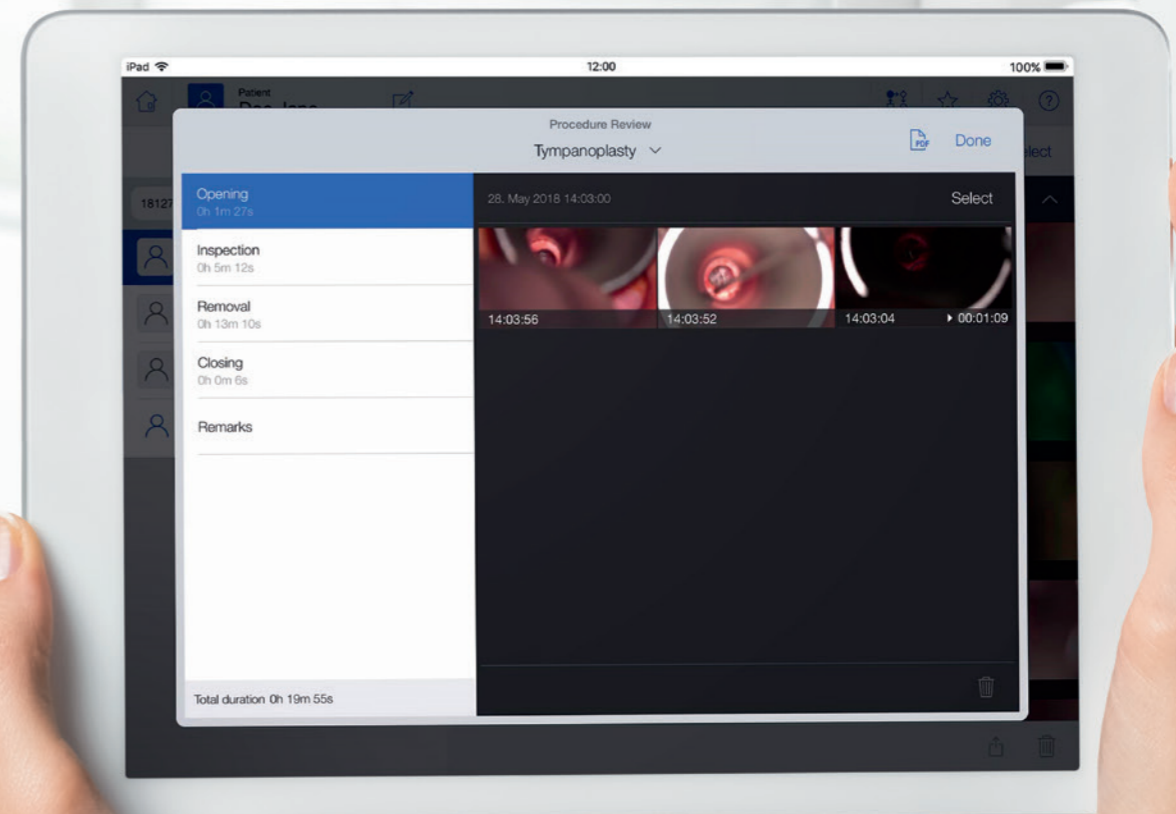


Digital Data Management

A high patient throughput and the associated documentation can be tedious when collecting, organizing and storing procedure-related images and videos.

[ZEISS Connect App](#) allows you to easily visualize, organize and archive photos and videos from your surgical cases. Use the Procedure Architect to organize your records according to your customized workflows, transferring data wirelessly to your existing network, benefiting from automated archiving.

The ZEISS EXTARO 300 with the [ZEISS Connect App](#) offers an easy and efficient pathway to structured data management. **Documentation completed.**



ZEISS EXTARO 300.

Latest innovations at a glance.

In 1953, the first ZEISS surgical microscope was developed specially for ENT surgeons. Since then, ZEISS has redefined and set high industry standards, and our latest innovation ZEISS EXTARO 300 is continuing this legacy.

Balancing System: Three simple steps for a perfectly balanced system. **Easy as 1-2-3.**

Control Interface: Single-Handed Operation for the activation of all visualization and recording modes. **Mode Control activated.**

Innovative Visualization Modes: Multispectral Mode increases tissue contrast, while NoGlare Mode suppresses light reflections. **Visualization enhanced.**

ZEISS Varioskop® 230: Focus over a working distance of 200 to 430 mm with just one finger. **Always in focus.**

LED: Integrated maintenance-free LED light source. Built to last.



Customer Care from ZEISS

Optimizing your operation

To efficiently deliver good surgical outcomes for your patients you rely on the availability of your medical equipment when you need it.

For maximum system uptime and convenience you might want to consider a service agreement for your ZEISS EXTARO 300. Depending on the service package you choose, OPTIME service agreements from ZEISS cover preventive maintenance, corrective maintenance and spare parts.

No matter which ZEISS services you chose, we are committed to helping you optimize your business in every respect.



Technical Data

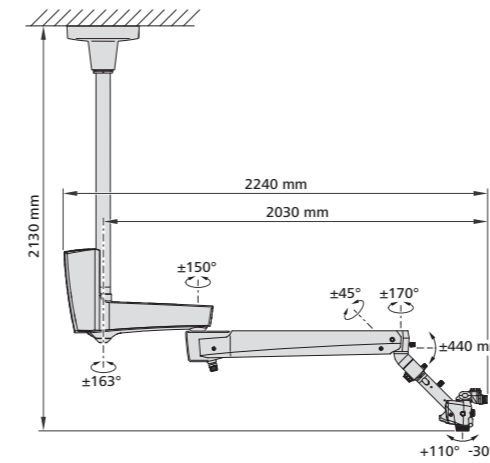
EXTARO 300 from ZEISS

		Packages		
		Pure Efficiency	Augmented Visualization	Premium
Magnification	5-step magnification changer	●	●	●
Focus	Varioskop 230, working distance adjustable from 200–430 mm	●	●	●
Illumination	TriLED provides natural colored light at high intensities	●	-	-
	TriLED with LightBoost providing Xenon like intensities	□	●	●
Single-Handed Operation	Unique user interface and intuitive balancing process allow smooth and effortless single handed operation of the microscope	●	●	●
Tube	Straight binocular Tube	○	○	○
	180° tiltable Tube	○	○	○
	Foldable Tube f170/f260	○	○	○
Eyepieces	10x wide-field eyepieces	○	○	○
	12,5x wide-field eyepieces	○	○	○
Augmented Visualization	Augmented Visualization Kit includes GreenColor Mode and enables: MultiSpectral Mode NoGlare Mode	-	●	●
	NoGlare Mode	-	□	□
	MultiSpectral Mode	-	□	□
Documentation	Essential: Integrated HD-video (1080p) recording on USB attached storage, HDMI output, trigger from microscope or with remote control	□	□	-
	Digital Data Management: Integrated HD Video (1080p), HDMI output, ZEISS Connect iPad App for camera control including smart recording, media data management according to customer defined workflows	-	-	●
	ZEISS Connect DICOM Interface	-	-	□
	iPad Docking Station	-	-	□
Co-Observation	Stereo coobservation package with straight tube, incl. Beamsplitter and TriLED with LightBoost providing Xe like intensities	□	□	□
		10x eyepieces	□	□
Laser Adaption	Laser package contains: - adaptor for laser micromanipulator - microscope focus lock - external focus slider that allows to jointly move microscope and laser focus point	□	□	□
		12,5x eyepieces	□	□
Asepsis	Starter Kit Asepsis consists of Drape adapter ring for VisionGuard splash Guard and Packs of resterizable Covers	□	□	□
	Drape Starter Kit	□	□	□

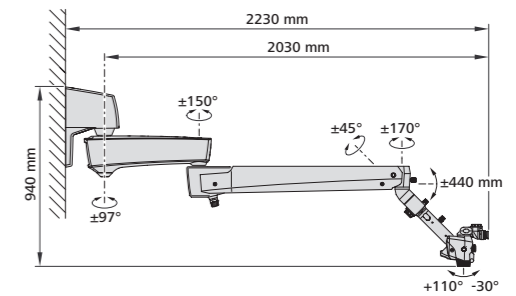
● Always included ○ Configurable □ Optional

Suspension System Options

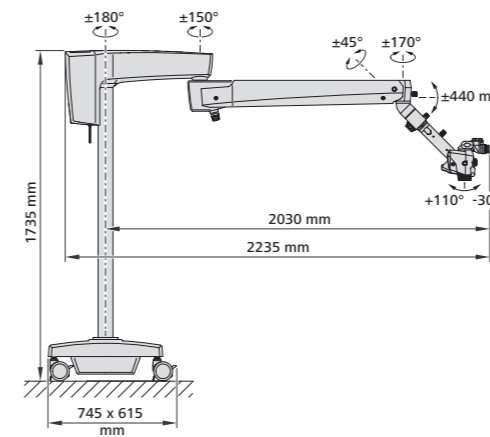
Ceiling mount



Wall mount



Floor stand





Carl Zeiss Suzhou Co., Ltd
Modern Industrial Square 3-B,
No.333 Xingpu Road
Suzhou Industrial Park, Suzhou
China 215126
Phone: +86 512 6287 1388
Fax: +86 512 6287 1366



Carl Zeiss Meditec AG
Goeschwitzer Strasse 51–52
07745 Jena, Germany
Phone: +49 36 41 22 03 33
Fax: +49 36 41 22 01 12
www.zeiss.com/med/contacts
www.zeiss.com/ent/extaro-300

EN_30_010_04001 SUR.10452 Printed in Germany. CZ-X/2018 International edition: Only for sale in selected countries.
The contents of the brochure may differ from the current status of approval of the product or service offering in your country. Please contact our regional representatives for more information. Subject to changes in design and scope of delivery and due to ongoing technical development. EXTARO, Varioskop and VisionGuard are either trademarks or registered trademarks of Carl Zeiss Meditec AG or other companies of the ZEISS Group in Germany and other countries.
© Carl Zeiss Meditec AG, 2018. All rights reserved.