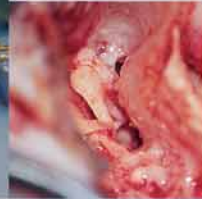


# OPMI® Movena®/S 7 System

## It's your move



**ZEISS**



## One with ZEISS

Over 50 years ago, Carl Zeiss pioneered the very first surgical microscope, heralding the dawn of an exciting new era – the age of microsurgery.

This revolutionary development was based on close cooperation with pioneering surgeons around the world, an approach that, to this day, steadfastly remains the foundation of our product conception process. Consistent with this philosophy, the OPMI Movena /S7 System was designed specifically for surgeons who prefer manual microscopes.

From quick, routine ENT procedures to demanding examinations, OPMI Movena will follow your lead at every turn. See for yourself its simple, manual operation, extremely mobile suspension, compact design – and, of course, the legendary quality of its ZEISS optics.

# *manual*



## **ZEISS optics - always a good move**

The foremost considerations in the development of OPMI Movena's optical system were the needs of surgeons. Innovative optics from Carl Zeiss now allow the selection of any required working distance between 200 mm and 415 mm without the need to change the objective lens, saving both time and effort. All this is made possible by the integration of the time-tested manual apochromatic magnification changer combined with the outstanding, manual internal focusing system – the Varioskop™.

### **In the right light**

Optical innovation did not stop at the Varioskop, OPMI Movena also features a new illumination system. Contrast enhancement is achieved by the variable spot illumination which reduces backscatter and that can be coned to as small as 11 mm. Plus, the surgeon can personally set the required light intensity by using the conveniently located brightness-adjusting knob. OPMI Movena can be equipped with one of two illumination systems: the standard halogen light source, or – if more light is needed – the optional Superlux® 180 xenon light source. Because xenon light has the color temperature of daylight, it brilliantly illuminates even the finest details without distorting natural colors.

With this pioneering system, Carl Zeiss impressively underscores its innovative strength in the field of optics.



*Choose between spot or full field illumination, depending on the procedure.*



*Standard working distances can be selected quickly and easily with the aid of click-stop settings at 250 mm (ear) and 400 mm (larynx).*





# *mobile*

## **Make a head-turning move**

Incredible feather-light mobility is another unmistakable trademark of OPMI Movenia. The surgeon can move the surgical microscope effortlessly with only his head while his hands remain precisely where they belong – in the surgical field. The benefit: Minor position changes can be made with ultimate ease and control. Of course, a variety of optional handgrips are also available.

## **The right balance**

This astounding ease of motion is achieved by a completely new balancing system. In no time to all, the OPMI Movenia/S7 System can be manually balanced – regardless of the microscope's position or attached accessories.



## **Laser surgery in total comfort**

An optionally available external fine-focus system ensures precise focusing when a laser micromanipulator is attached. With the Varioskop set to its 400 mm click stop and utilizing the fine-focus option, the laser and microscope remain calibrated and synchronized.



*OPMI Movena is available on the S7 floorstand or on the S7 ceiling mount with a power or fixed height column.*

### **Mobile towers of strength**

OPMI Movena's feather-light mobility is ideally complemented by the S7 floorstand or the S7 ceiling mount. Long reach and exceptional mobility are the hallmarks of both suspension systems. Four rotatable casters ensure easy movement of the floorstand over short distances during surgery or long distances between operating rooms.

Intelligent cable management makes the light guide and video cable virtually invisible. This not only supports OPMI Movena's excellent mobility, but also prevents damage and allows fast, easy cleaning.

### **Optional accessories**

Thanks to the building block principle from Carl Zeiss, OPMI Movena can be easily configured with the accessories required for ENT procedures.



Two optional MediLive® video cameras are available: MediLive Primo, the integrated 1-CCD camera or MediLive Trio, the easily-mounted, external 3-CCD camera.

Both systems provide excellent documentation and co-observation.



Backup illumination is always at the ready to the automatic lamp change with the standard halogen illumination system or the fast-action lamp changer of the optional xenon illumination system.





Front, lateral or T-style handgrips can be supplied on request. Sterilizable rubber caps provide the required sterility.



The stereo co-observation tube ensures that the assistant also enjoys a crisp, brilliant image.



VisionGuard™ – with its unique design – the drape's objective lens cover from Carl Zeiss effectively minimizes reflections and provides unmatched optical quality.





*compact*

### **Space savings and easy maintenance**

The OPMI Movena's compact design philosophy resulted not only in a very small microscope, but also in an overall system that is ergonomically correct, space saving and easy to clean.

Whether it is compactly folded in its standby position or, thanks to its long reach, positioned nearby the operating table – OPMI Movena/S7 System fits into any room.

With the integrated Varioskop optics, OPMI Movena has an astoundingly small height that allows for very dynamic options during surgery – a true benefit to the larynx surgeon.



## Documentation - the checkmate solution

The optional, integrated 1-CCD camera Medilive Primo combines state-of-the-art video technology with outstanding ease of use. In many cases, the camera's excellent video quality can be used in lieu of optical co-observation. By combining with Medilive MindStream™, you can immediately capture pictures and record video sequences to a CD, DVD or USB-device.



*Medilive MindStream – a versatile archiving system and digital media tool.*



For half a century now, close cooperation with surgeons has enabled Carl Zeiss to create innovative visualization technologies that have played key roles in the reliable, precise and efficient treatment of ENT diseases.

By actively pursuing close dialogue with the world's leading research institutes and universities, Carl Zeiss continues to strive to meet the future requirements of medicine. OPMI Movena/S7 System is a step towards this goal.

## Technical Specifications

### OPMI Movena

#### Magnification

Manual ZEISS Galilean changer, 1:6 ratio in 5 steps

#### Focusing system (Varioskop)

Internal, manual, continuously adjustable

#### Working range

200 – 415 mm

#### Main binocular tube

Straight tube  $f = 170$  mm or optional 0–180° inclinable tube  $f = 170$  mm or  $f = 200$  mm with 12.5x or 10x widefield eyepieces

### S 7 Floorstand and Ceiling Mount

#### Voltage

115 V/230 V  $\pm 10\%$

#### Frequency

50 – 60 Hz

#### Power consumption

115 V, max. 10 A

230 V, max. 8 A

#### Circuit breaker

Automatic

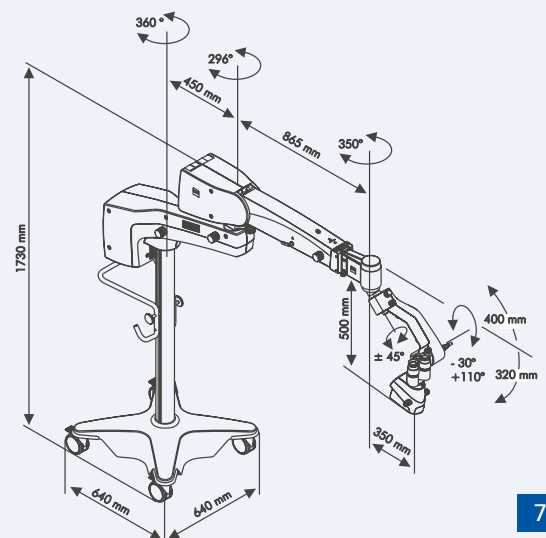
#### Weight

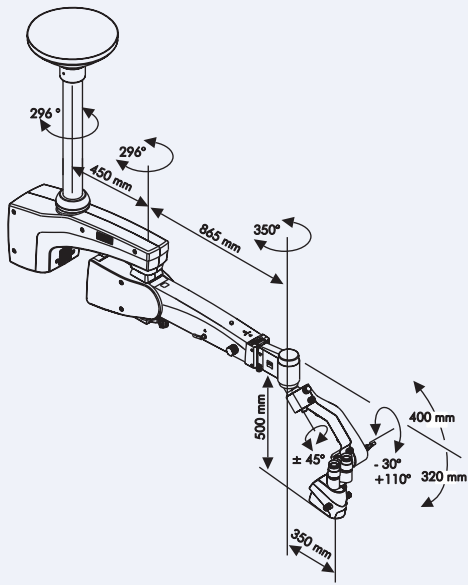
Approx. 170 kg (with OPMI on floorstand)

Approx. 70 kg (with OPMI on ceiling mount with fixed height column)

Approx. 125 kg (with OPMI on ceiling mount with power column)

#### Compliance





## Light sources

### Halogen illumination

Main and backup illumination

100 W halogen lamp via light guide, backup lamp in automatic, fast-action lamp changer

### Superlux 180 (option)

Main and backup illumination

180 W xenon lamp with daylight color temperature via light guide, backup xenon lamp in fast-action lamp changer





*It's your move*





1



2



3



4

The amazing line of ENT microscopes from Carl Zeiss:

- 1. OPMI pico/S100 System
- 2. OPMI 1FC/S100
- 3. OPMI Vario/S88 System
- 4. EyeMag® Medical Loupes
- 5. OPMI Sensera®/S7 System
- 6. OPMI Movena/S7 System



5



6

For information, please contact:



EN\_30\_010\_422II Printed in Germany AW-TS-IV/2008 PTo  
Subject to change in design and scope of delivery and as a result of ongoing  
technical development.

**Carl Zeiss Surgical GmbH**  
 A Carl Zeiss Meditec Company  
 73446 Oberkochen  
 Germany

Fax: +49 (0) 7364/20-4823  
 Email: [surgical@meditec.zeiss.com](mailto:surgical@meditec.zeiss.com)  
[www.meditec.zeiss.com/ent](http://www.meditec.zeiss.com/ent)

OPMI, Movena, MediLive, Superlux, Sensera and EyeMag are registered trademarks of Carl Zeiss.  
 Varioskop, VisionGuard and MindStream are trademarks of Carl Zeiss.

©2008 Carl Zeiss