

OPMI Sensera/S7 System

Step into the light





"red dot" award for high design quality: in an international competition for product design, OPMI Sensera impressed the jury with its high degree of innovation, excellent functionality and superb ease of use.

reddot design award
winner 2003

Ease of use

Always a step ahead

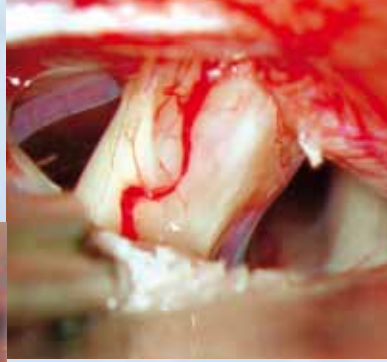
Since the introduction of the first surgical microscope in 1953, the field of otorhinolaryngology has been at the forefront of microsurgery. For over 50 years Carl Zeiss, in collaboration with surgeons, has strived to produce the best possible visualization solutions, thereby helping surgeons improve the quality of life for countless patients.

With its effortless mobility, OPMI® Sensera®/S7 delivers maximum operating comfort for procedures on the ear, nose or throat. At the push of a button, the innovative balancing system places the surgical microscope in the correct position – even when equipped with maximum accessories.



*Clear lines and precise form
signal a new era in ENT surgery*

Below: Papillomatosis of the left vocal cord region. Source: Hannover School of Medicine, Prof. Dr. Th. Lenarz



Above: Acoustic Neuroma. Source: Gruppo Otologico-Piacenza, Prof. Dr. Sanna

For the ear, precision is key

The OPMI Sensera /S 7 system is specifically optimized for the delicate and precise techniques demanded in procedures on the ear. OPMI Sensera also ensures maximum comfort for the complex configurations required for performing skull-base surgery.

Just follow your nose

Varioskop® optics, combined with the inclinable binocular tube, enable the surgeon to maintain a comfortable position, particularly in paranasal sinus surgery, where the working distance changes frequently. Refocusing is as simple as pushing a button and surgeons also have the ability to adjust the spot size of the illumination to see down narrow nasal passages.

Preserving functionality in throat procedures

CO₂ lasers are often used in surgery on the larynx. Because it is so unbelievably compact, OPMI Sensera makes it possible to operate comfortably – even in extreme positions. The optional external finefocus from OPMI Sensera allows surgeons to synchronize the focus of the surgical microscope and the laser without disrupting the procedure.





Optical Excellence

Optics at their best

What better support could Carl Zeiss offer surgeons than legendary ZEISS optics? As demands continue to grow, it is becoming that much more important for surgeons to be able to rely on the extraordinary image quality, improved resolution and outstanding color rendition delivered by apochromatic optics. A Varioskop that provides a working distance of 200–415 mm coupled with the well-known 1:6 ZEISS zoom system ensures that

these optics can always be used comfortably. The integrated Superlux® 180 xenon illumination ensures that the finest details are also visible in true color.

SpeedFokus™ at the push of a button

SpeedFokus generates a crisp image within a matter of seconds. This innovative autofocus system simplifies procedures with its automatic, fast and precise focusing at the push of a button. Workflows become more efficient as surgeons can completely concentrate on the treatment. Manual, time-consuming focusing is a thing of the past.



Form and function redefined



Ease of documentation

ZEISS provides outstanding video solutions for documentation and co-observation. The camera portfolio ranges from the integrated 1 CCD standard-definition camera MediLive® Primo to the easily attachable 3 CCD high-definition camera TRIO 610. Combined with MEDIALINK™ 100, pictures and videos can be immediately captured and recorded for further processing.

Ergonomic handgrips include four programmable buttons in addition to zoom and focus controls.

Adaptability is key

Combined with OPMI Sensera, laser micro-manipulators permit the use of different, easily mounted lasers.



Perfect Integration



Noticeable convenience

Clearly designed lines, form and functionality define the OPMI Sensera/S7 System. No expense was spared to make convenience possible, yet invisible. Internal zoom and focus, the Superlux 180 Xenon illumination, and the optional integrated 1CCD camera MediLive Primo are all built in and hidden from view, thus eliminating bothersome cable clutter that can affect the movement of the microscope and make it easier to clean.

Feather-light maneuverability

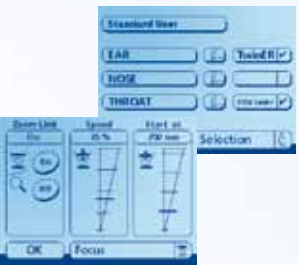
The floorstand has four freely rotating casters that facilitate easy movement during repositioning in the OR

or for transfer between different rooms. OPMI Sensera is also available on the S7 ceiling mount with a fixed height column or an optional power column.

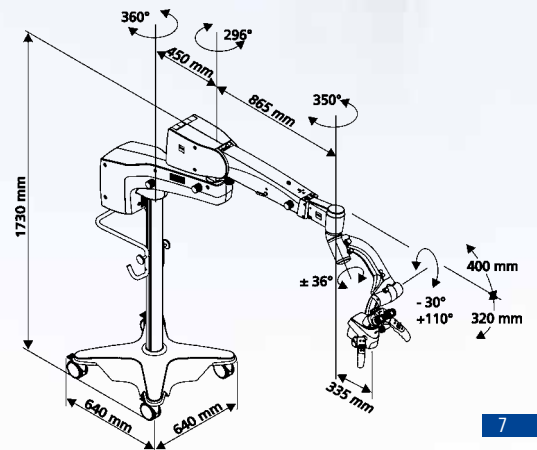
Individual settings

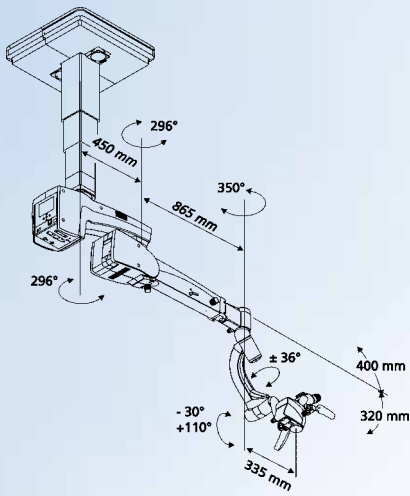
In today's increasingly crowded ORs, OPMI Sensera easily and quickly adapts to the varying procedural needs of the ENT surgeon. The touch of a button on the S7 graphic interface quickly configures an optimized setup for ear, nose or throat surgery. Plus, three surgeons can store their personal preferences for magnification, focus and illumination.

At Carl Zeiss we view it as our responsibility to not just recognize new surgical trends, but to provide solutions that seamlessly and comfortably enable surgeons to apply and evolve these new techniques. Our goal is to provide surgeons with instruments that will help them to perform procedures that improve outcomes and the quality of life for patients around the world. And this is exactly what OPMI Sensera will do.



The outstanding features of the S7 ceiling mount include not only its precise positioning above the operating table, but also the ample headroom provided in its standby position by the optional power column.





Technical Data

OPMI Sensera

Magnification Motorized ZEISS Zoom, 1:6 ratio, adjustable via handgrips or foot control panel.

Focus System (Varioskop) Internal, motorized, continuously adjustable. Triggered via handgrip or foot control panel.

SpeedFokus – optional autofocus system

Working Range 200–415 mm

Main Binocular Tube

Inclinable 0-180° f = 170 mm or f = 200 mm with 12.5x or 10x wide-angle eyepieces.

S7 Floorstand and Ceiling Mount

Line Voltage 115 / 230 V $\pm 10\%$

Frequency 50-60 Hz

Power Consumption Max. 115 V, 10 A
Max. 230 V, 8 A

Line Protection Automatic Circuit Breaker

Weight

Floorstand: Approx. 165 kg (complete with OPMI)

Ceiling Mount: Approx. 120 kg (complete with OPMI)

Optional Power Column of the S7 Ceiling Mount



Superlux 180 Light Source

Main and Backup Illumination

180 Watt Xenon daylight lamp via light guide in fast action lamp changer.

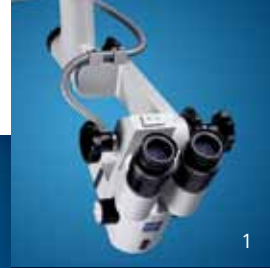
S e n s e r a



*Impressive details &
perfect balance*



EN_30_010_421VI Printed in Germany AW-CZ-III/2011 Poo
Subject to change in design and scope of delivery and as a result of ongoing technical development.



*The amazing line of ENT
microscopes and loupes
from Carl Zeiss:*

1. OPMI 1FC/S 100 system
2. OPMI Vario/S 88 system
3. OPMI Pentero® system
4. EyeMag® loupes
5. OPMI Movena/S 7 system
6. OPMI pico/S 100 system
7. OPMI Sensera / S7 System

Carl Zeiss Meditec AG

Goeschwitzer Str. 51–52

07745 Jena

Germany

www.meditec.zeiss.com/contacts

www.meditec.zeiss.com/ent

OPMI, Pentero, Sensera, MediLive, EyeMag, Varioskop and Superlux are registered trademarks of Carl Zeiss.
MEDIALINK and SpeedFokus are trademarks of Carl Zeiss.

© 2011 Carl Zeiss